



# ULTRA LOW NOISE AMBIENT LIGHT SENSOR

## 614101 datasheet - 150mm wafers

### 1.1 DESCRIPTION

The 614101 is a low cost ambient light sensor, with a current output directly proportional to the light level. The output current can be converted to a voltage with an external resistor. The resistor value sets the dynamic range of the sensor.

The 614101 has excellent noise (dark current) cancelling. Ideal for low LUX sensing at high temperature.

It has a built in optical filter to provide a visible response much like the human eye.

### 1.2 FEATURES

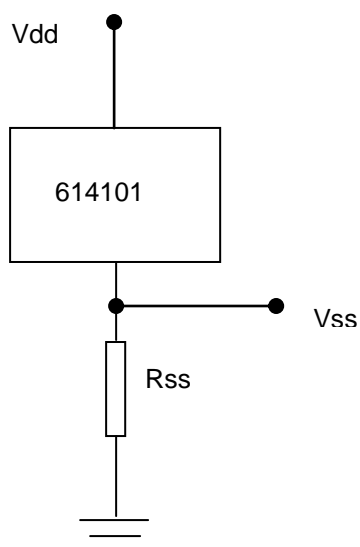
- Near human eye photopic response
- High IR rejection – integrated optical filter
- Current output highly linear to light level
- Temperature stable
- Integrated high gain photo-current amplifier
- Dark-current cancellation

### 1.3 APPLICATIONS

- Dawn/dusk sensing (e.g. CCTV)
- Security lighting
- Display backlighting in laptops, mobile phones, LCD TVs
- Night-lights

## 2.0 BASIC APPLICATION & TEST CIRCUIT

**Figure 1**



#### Pin Description

Vdd – Positive terminal

Vss – Negative terminal

See section 7.0 for grind, saw and packaging details



614101

ULTRA LOW NOISE  
AMBIENT LIGHT SENSOR

### 3.0 ABSOLUTE MAXIMUM RATINGS

PARAMETER	RATING	UNITS
Supply input voltage	-0.6 to 10	V
Supply current	Internally limited	mA
Operating Temperature, $T_O$	-40 to +95 *	°C
Storage Temperature, $T_S$	-40 to +100	°C
ESD Protection	$\pm 1.7$	kV

\* The light sensor will function up to +105°C but the drop in output response due to increasing dark current will have to be taken into consideration when testing below 2 Lux.

**Note: During final testing it may be necessary for the device to be tested to determine the orientation before executing the final test sequence. See section 6 for test conditions to be used.**



614101

ULTRA LOW NOISE  
AMBIENT LIGHT SENSOR

#### 4.0 ELECTRICAL SPECIFICATION

The following parameters apply over the operating temperature range  $-40^{\circ}\text{C}$  to  $+95^{\circ}\text{C}$ , and with  $R_{SS}=10\text{k}\Omega$  and  $V_{DD}=5\text{V}$ , as per figure 1. The 614101 is available in 2 variants – determined by the tolerance of their output current. The table below shows the range of output currents, for specific lighting conditions, for each variant.

Parameter	Symbol	Test Conditions	Min	Typ	Max	Units
Infra red response		900 nm	0	2	5	% of peak
Min. operating voltage	$V_{DD} - V_{SS}$	$I_{SS} = 250\mu\text{A}$ $I_{SS} = 100\mu\text{A}$		2.0 1.5	2.6 2	V V
Output Current						
+/- 25%	$I_{SS}$	200 Lux 100 Lux 10 Lux	187.5 93.8 9.4	250 125 12.5	312.5 156.3 15.6	$\mu\text{A}$ $\mu\text{A}$ $\mu\text{A}$
+/- 40%	$I_{SS}$	200 Lux 100 Lux 10 Lux	150 75 7.5	250 125 12.5	350 175 17.5	$\mu\text{A}$ $\mu\text{A}$ $\mu\text{A}$
Dark Current	$I_{DRK}$	0 Lux, $T_a = 25^{\circ}\text{C}$  After 2 seconds After 5 seconds After 10 seconds		1.7 0.7 0.45	5	nA nA nA
		0 Lux, $T_a = 65^{\circ}\text{C}$  After 1 second		15	55	nA
		0 Lux, $T_a = 95^{\circ}\text{C}$  After 1 second		120		nA
Gain Linearity			-10		10	%
Peak Spectral Response				520		nm
Sensitive Area				0.054		$\text{mm}^2$
Useable light range		$R_{SS}$ & $V_{DD}$ dependant		0 to 1000		Lux

**Note that with a lower  $R_{SS}$  resistance, the linear light response range can be greatly increased. Likewise low light level sensing is possible with a higher  $R_{SS}$  resistance. See section 3.1.**



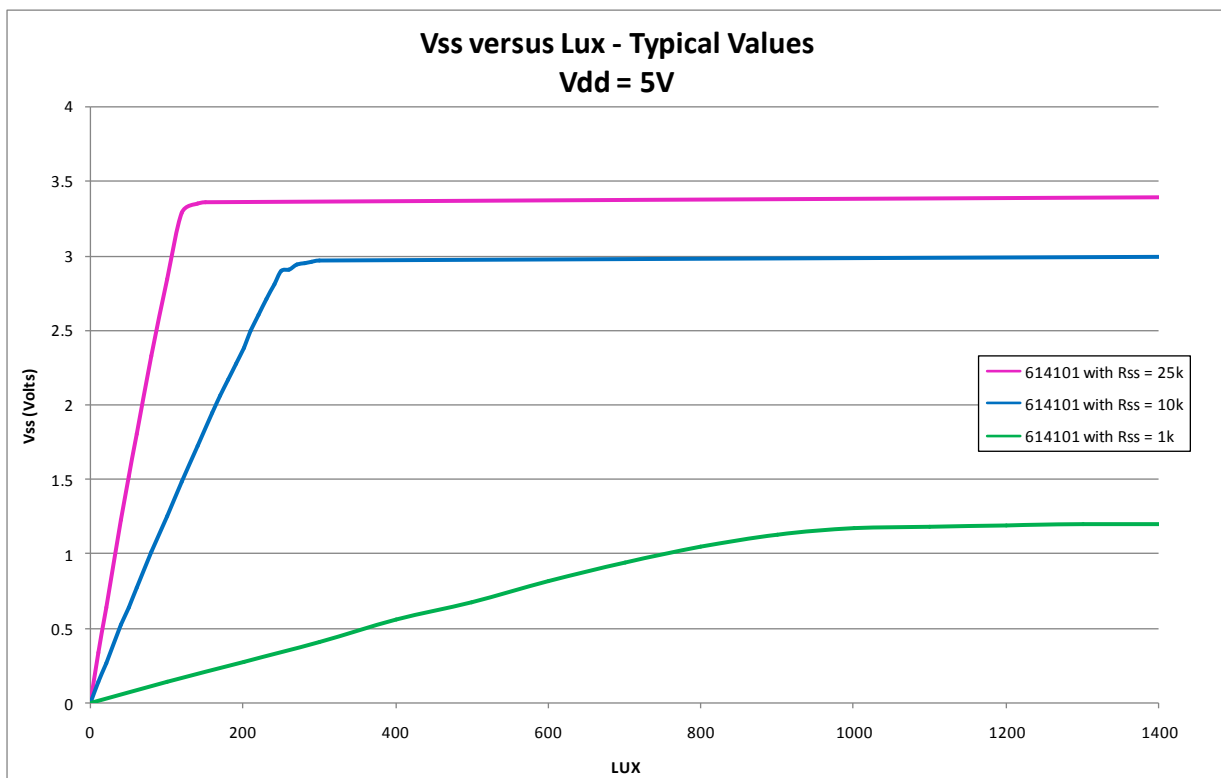
614101

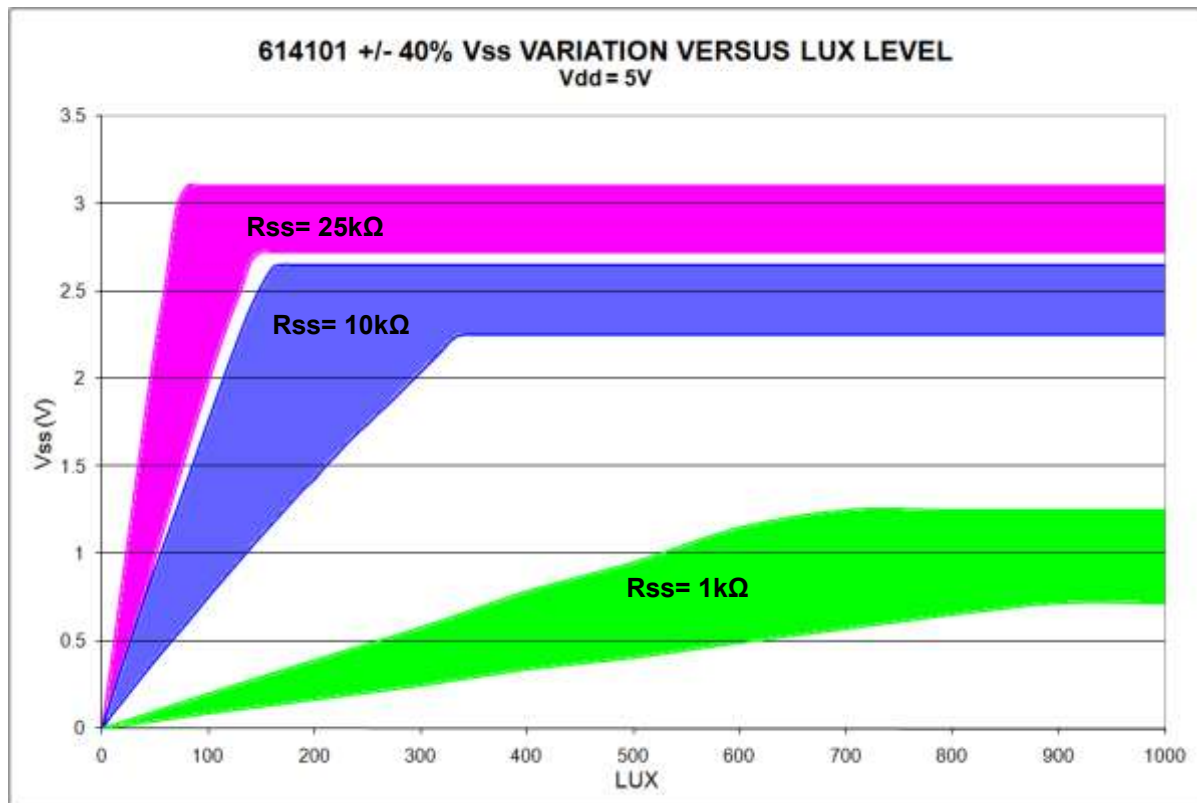
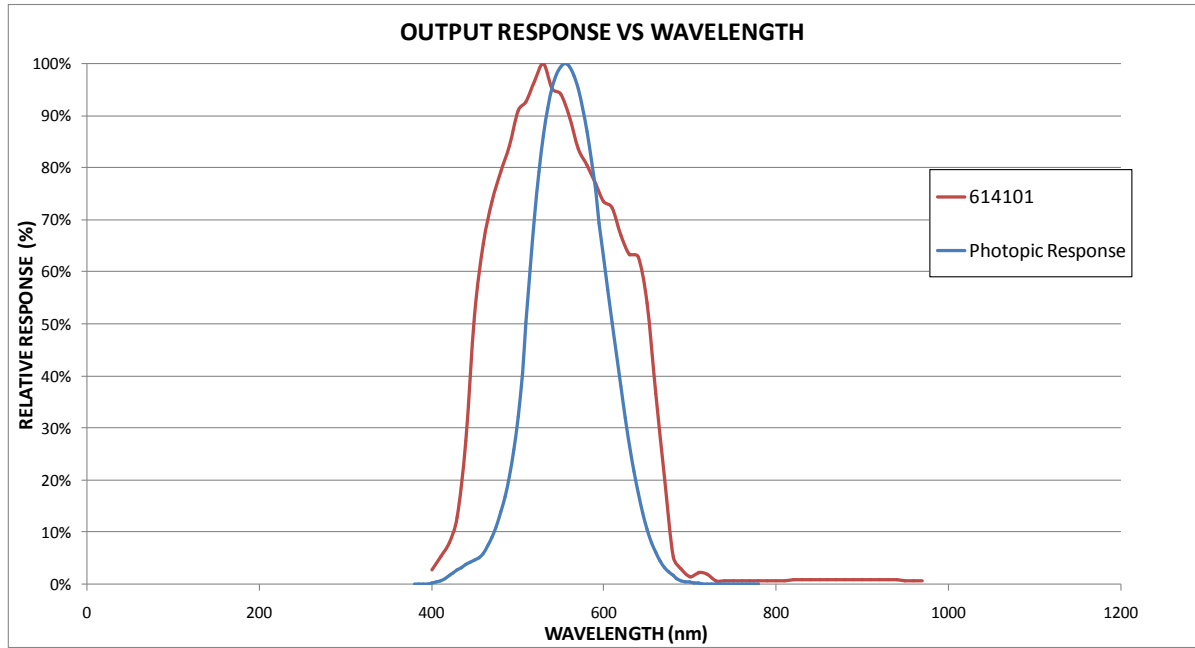
ULTRA LOW NOISE  
AMBIENT LIGHT SENSOR

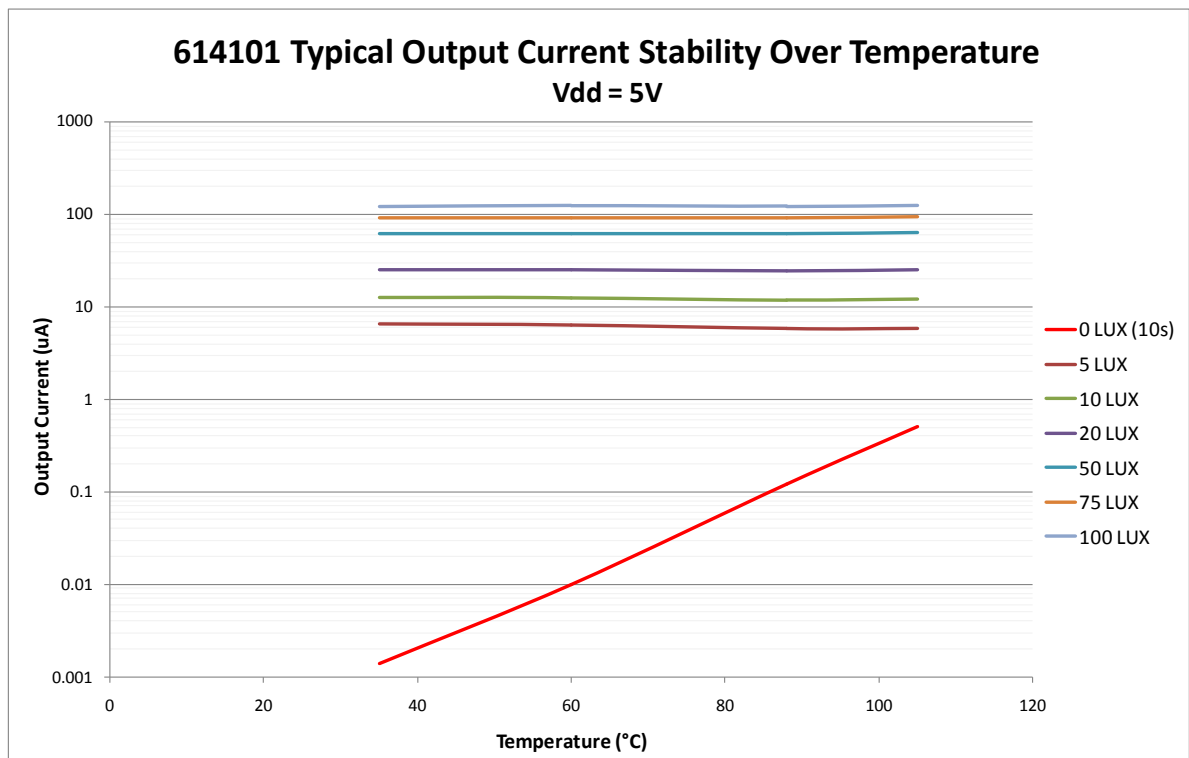
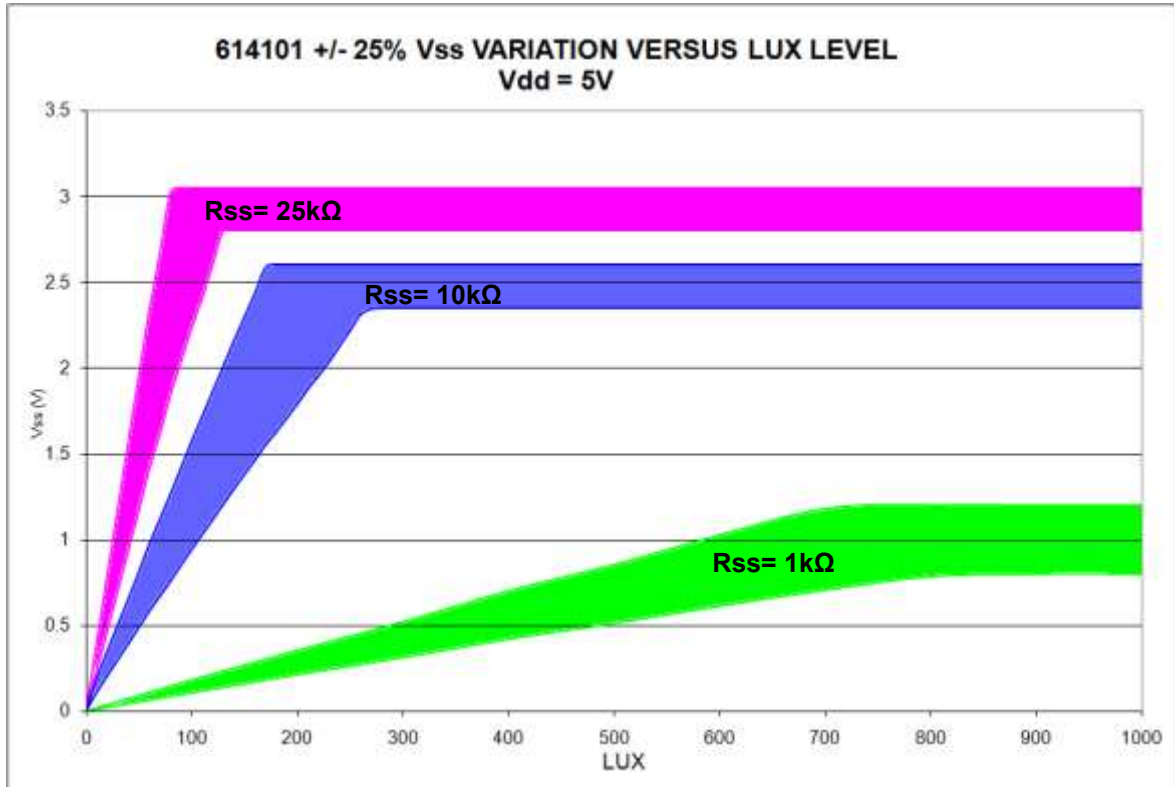
#### 4.1 Selection of Rss

The 614101 can be used over a range of lighting conditions by selecting a suitable value of Rss (see figure 1), or by varying Vdd. The table below shows a small selection of ranges however it higher and lower resistances can be used to achieve the desired range.

4.2	Light Range	614101
	0 to 80 Lux	25K $\Omega$
	0 to 160 Lux	10K $\Omega$
	0 to 750 Lux	1K $\Omega$



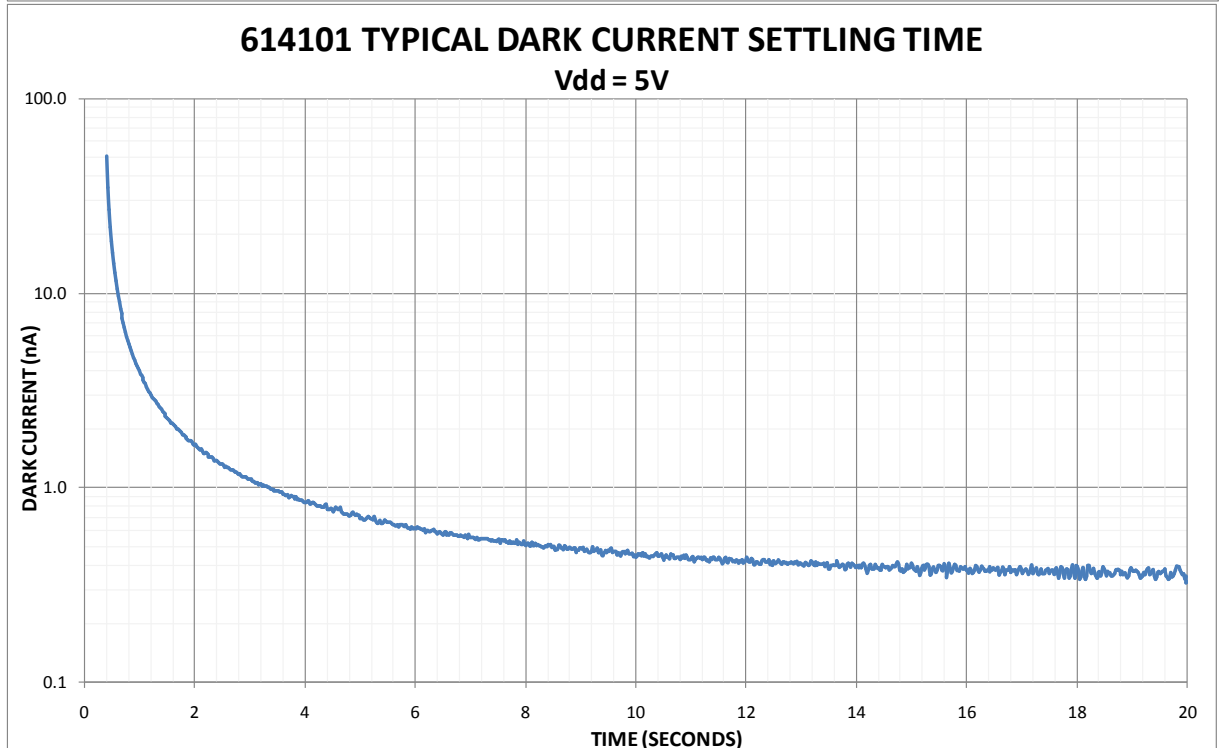
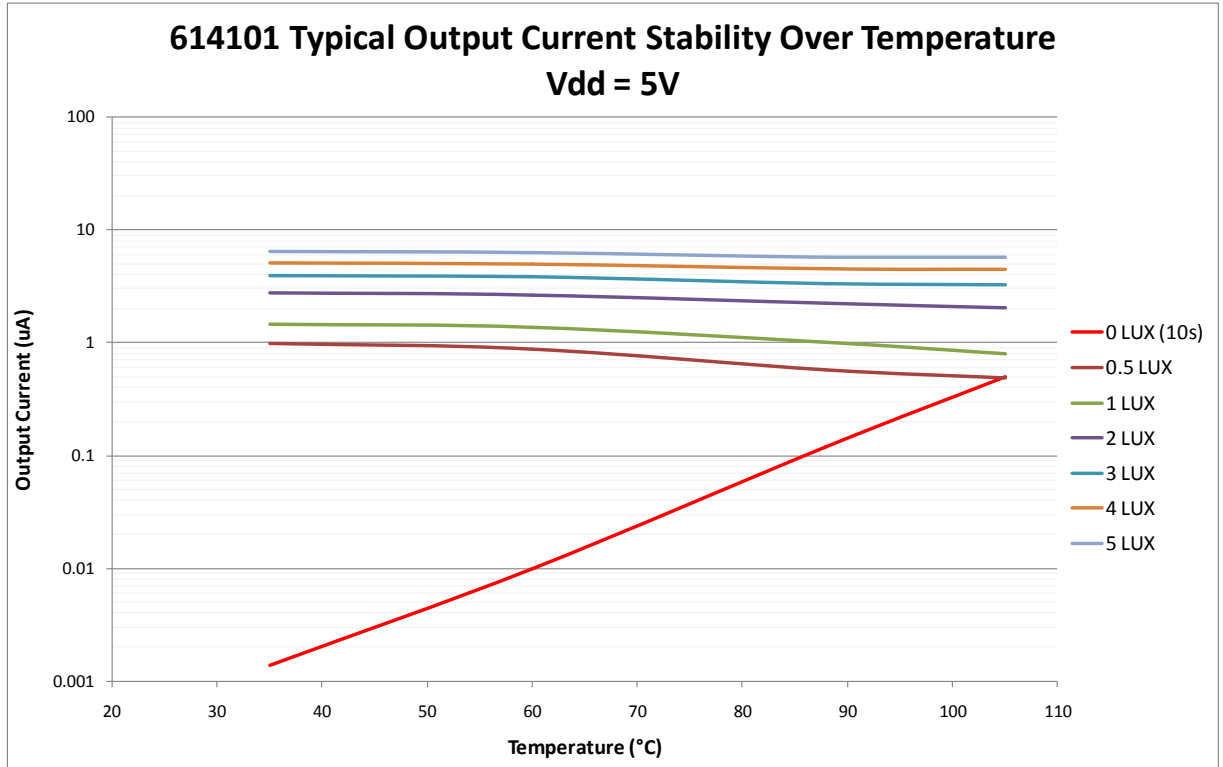
**4.3 Characteristic Curves**






614101

ULTRA LOW NOISE  
AMBIENT LIGHT SENSOR



## 5.0 APPLICATION EXAMPLES

### Automatic Night Light

Fig 2 This circuit shows the 614101 in an Automatic Night Light application.

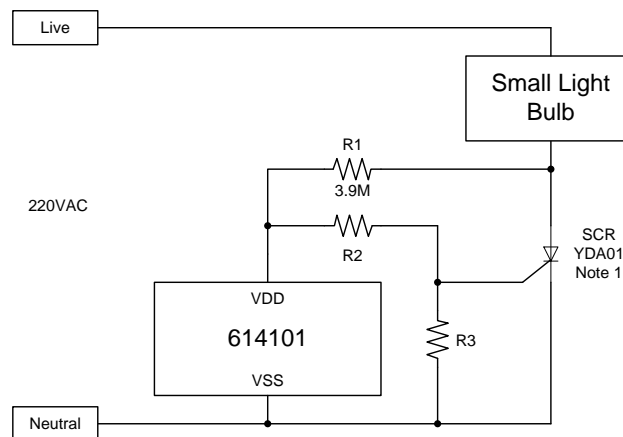


Fig 2

Note 1 This circuit requires a sensitive gate SCR, with  $igt(TYP)$  less than  $10\ \mu A$

The Lamp current is switched by a sensitive gate SCR. The typical gate current of the SCR should be less than  $10\ \mu A$ . When the light is above threshold, current flows between the Vdd and Vss pins of the ASIC which diverts current away from the gate of the SCR. The light switching threshold can be adjusted by choosing different values for R2 and R3.



**LED Drivers**

Fig 3 is a very simple low cost circuit using the 614101 to switch an LED.

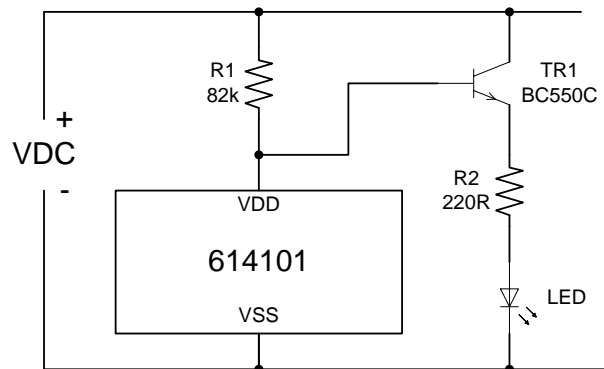


Fig 3

As the light increases, current flows between the Vdd and Vss pins of the ASIC which pulls down the base of TR1. In dark conditions R1 supplies current to the base of TR1 to switch on the LED. The base current of TR1 must be small compared to the photo current. This circuit should only be used when the current in the LED is less than 10mA. The DC current gain (hfe) of TR1 should be > 400 to minimise the base current. The BC550C or equivalent is a suitable transistor for TR1. This circuit is not suitable for VDC < 4V because of the headroom required for the LED and TR1. R1 should be adjusted by customers to obtain the switching threshold to suit the application. This circuit does not have a sharp switching threshold. The LED brightness decreases over a range of about 30 Lux as the ambient light level increases towards the cut-off point. The LED current will switch off completely when R1 is pulled down below about 2.5V. The advantage of this circuit is that it has the smallest number of components.

Fig 4 is a general purpose LED driver.

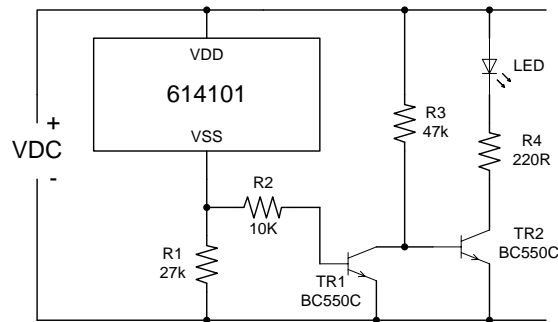


Fig 4

The LED switches ON when the light is less than the switching threshold (Slux). The base current of TR1 will affect the switching threshold. To minimise this effect the base current into TR1 should be less than  $10\mu\text{A}$  under all conditions of temperature and supply voltage. When the ambient light  $> \text{Slux}$  TR1 pulls down R3 and switches off TR2. For battery operated applications low current drain is important and the value of R3 should be as high as possible so that when the LED is off the circuit quiescent current is low. Slux is controlled by R1 and the base emitter voltage of TR1. R2 limits the base current into TR1 to prevent excess current with high illumination. R4 controls the LED current.

Fig 5 In this circuit the LED switches ON when the light is above the switching threshold Slux.

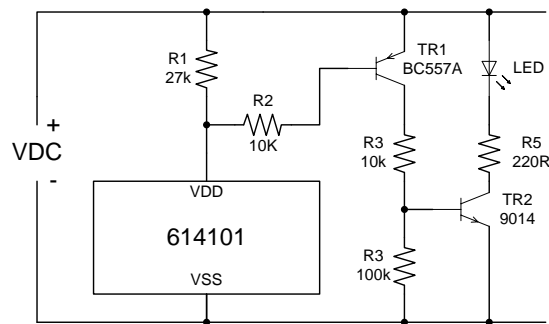


Fig 5

The value of R3 in this circuit can be lower than that in Figure 4 because the current in TR1 is switched off in low light conditions.

**Relay Drivers**

Fig 6 The relay coil is energised when the light < Slux.

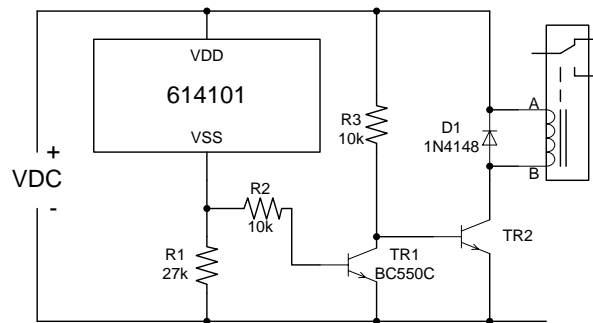


Fig 6

The Slux threshold is set by R1 in the same way as explained in the description for circuit figure 5. For battery operated circuits, the hfe of TR2 should be high to allow a high value for R3. The hfe of TR1 should be high so that a low base current will be able to pull R3 down.

**Example:**

VDC = 6V, relay coil resistance = 100R. Min hfe of TR2 = 100, min hfe of TR1 = 200

Coil current = 56mA. Min base current to switch on TR2 = 0.56mA. so R3 = 10K.

Min base current of TR1 =  $0.56\text{mA}/200 = 2.8\mu\text{A}$ .

With the above value for R3, the quiescent current when the relay is off would be around 0.6mA which might be too high for some battery operated circuits.

Fig 7 The relay coil is energised when light > Slux.

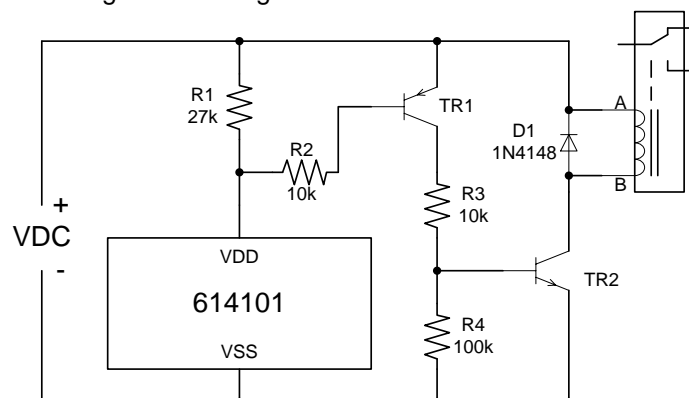


Fig 7

In this case the quiescent current is low in dark conditions because TR1 is switched OFF at the same time as TR2 and the relay coil. The customer can control the current to the application and the quiescent current by choosing a normally open (NO) or normally closed (NC) relay.

**Interface Circuit Examples**

Fig 8 shows an interface to a microprocessor.

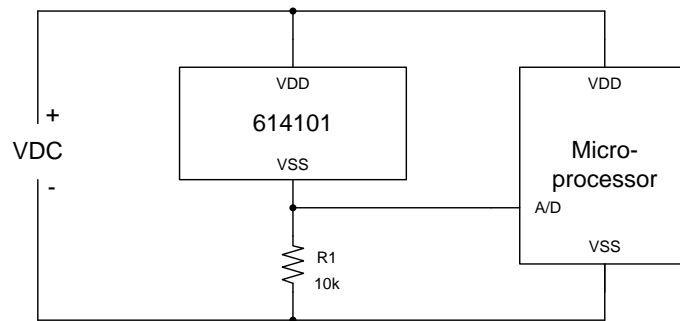


Fig 8

The voltage across R1 varies linearly with the illumination of the sensor. The current between the Vdd and Vss pins is approximately  $1.25\mu\text{A}/\text{lux}$ , so with a 10K resistor the voltage at the A/D input will be 12.5mV per lux. The 614101 was designed for low lux applications and the headroom required between Vdd and Vss becomes a problem at higher lux levels. These parts are not ideally suited to control room lighting applications especially if the microprocessor supply voltage is low.

Fig 9 This circuit uses a transistor to provide a light level switching interface between the 614101 and CMOS logic.

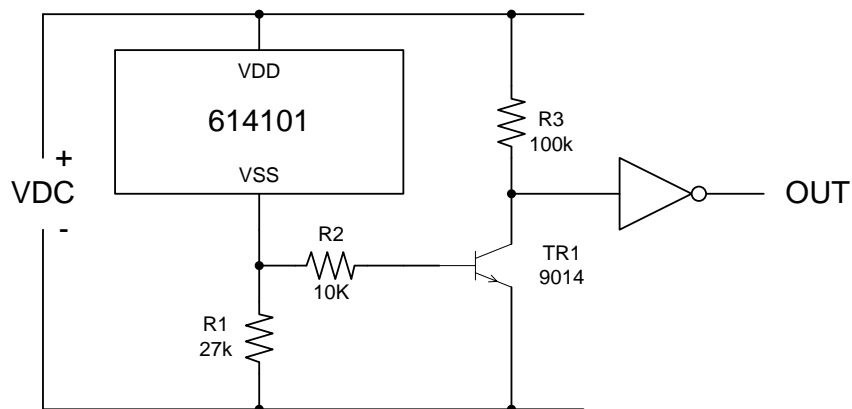


Fig 9

The switching threshold is set by R1 and the base of TR1 as explained for previous circuit examples. The OUT signal will be high when the illumination is above the threshold and low when it is below the threshold. Using a buffer instead of an inverter will change the polarity of the OUT signal

Fig 10 This circuit uses a comparator (or op-amp) to provide a level switching interface for the 614101-B.

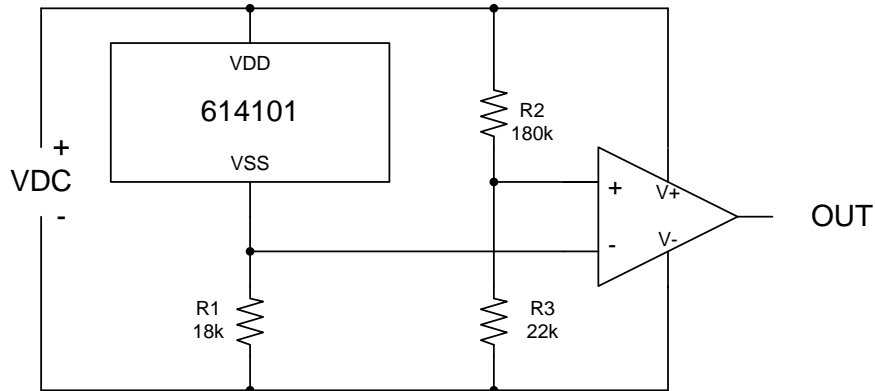


Fig 10

OUT will be high when the voltage at Vss < 0.1\*Vdd.

Fig 11 Same as Fig 10 except that OUT will be high when the voltage  $V_{ss} > 0.1 \cdot V_{DD}$

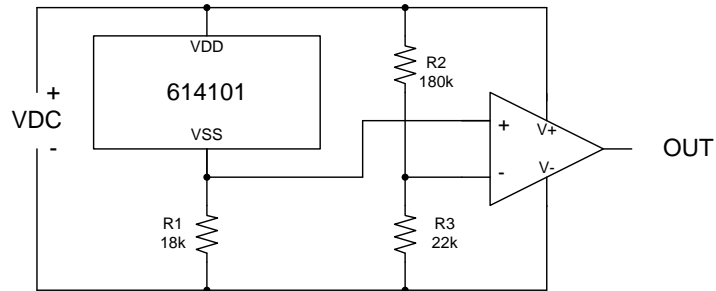


Fig 11

Fig 12 The op-amp circuit amplifies the output voltage at  $V_{ss}$ .  $V_{OUT} = (1 + R3/R2) I_{photo} \cdot R1$

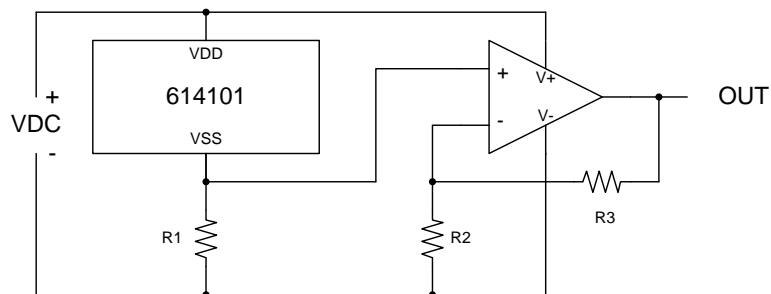


Fig 12

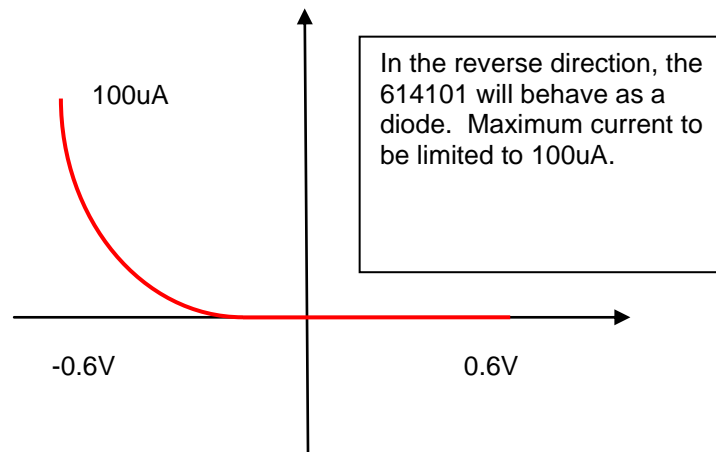
## 6.0 ORIENTATION TESTING

If the device require to be tested to determine the pin orientation before executing the final test sequence, then the following test conditions are to be used in a dark test environment :

Force 0.6V - measure current with a **maximum current limit of 100uA**.

If the device reaches 100uA then the  $V_{SS}$  pin is connected high.

If the device does not reach 100uA then the  $V_{DD}$  pin is connected high.



## 7.0 GRIND, SAW AND PACKAGING INFORMATION

### 7.1 GRIND

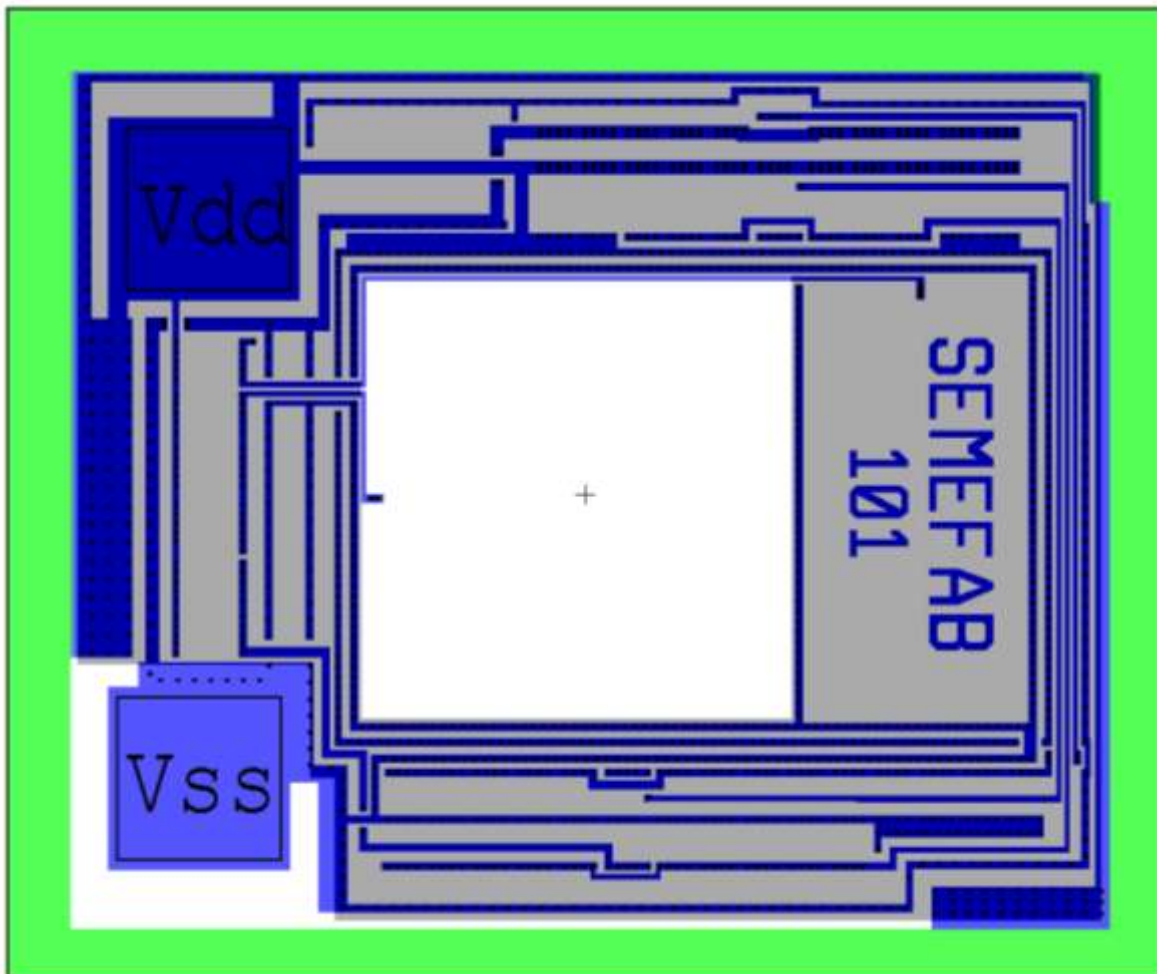
If purchasing unground, unsawn wafers, then it is recommended that the wafers should be ground down from 675  $\mu\text{m}$  down to 300  $\mu\text{m}$  thick.

### 7.2 SAW

Die stepping pitch is 0.63mm x 0.53mm with 72  $\mu\text{m}$  saw channel. Total number of die per wafer is 48549.

### 7.3 PACKAGING

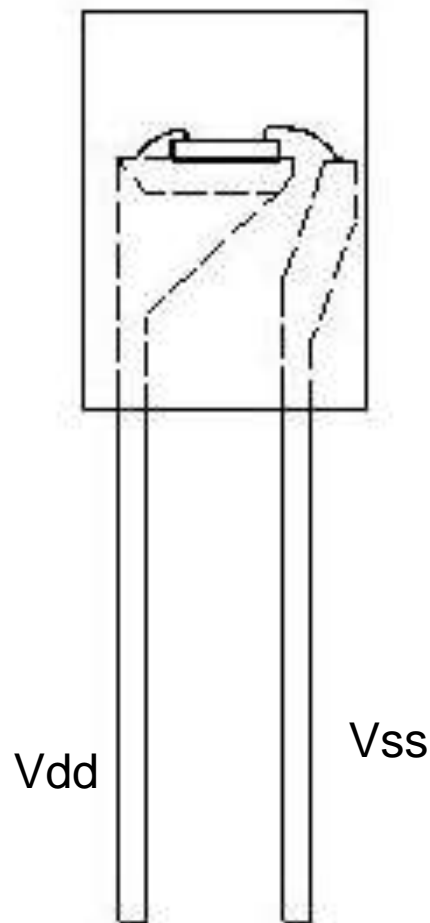
Bond pad location as viewed on wafer with major flat to the bottom. Bond pads are 100  $\mu\text{m}$  x 100  $\mu\text{m}$ .





**FOR LED STYLE PACKAGES**

Vdd bond pad must be connected to the package leadframe with the Vss bond pad connected to the isolated post





614101

ULTRA LOW NOISE  
AMBIENT LIGHT SENSOR

## 8.0 ORDERING INFORMATION

To order 614101 wafers, please use code in the following table:

	Options	Ordering Code
<b>Nominal Response</b>	1.25 $\mu$ A/Lux	614101
<b>Die Thickness</b>	300 $\mu$ m 675 $\mu$ m	G NG
<b>Output Current Tolerance</b>	+/- 25% +/- 40%	25 40
<b>Supply Format</b>	Bare die, unsawn wafer Bare die, sawn wafer	D1 D2

Example:

To order sawn wafers, 300  $\mu$ m thick, with a tolerance of +/- 40% then use the ordering code:

**614101-G-40-D2.**